

PRODUCT



COLOURS



// Black / Chrome



// Off-White / Chrome



// White / Chrome

Item no.: 001-0616X
+ style code

DESCRIPTION

Bestlite has been in continuous production since 1930. Robert Dudley Best created Bestlite design. He was highly influenced by the Bauhaus. In the past 80 years, people appreciated the lamps and it decorates many homes, hotels and restaurants worldwide. Loved by architects, designers and design aficionados throughout its 80-year history, today, Bestlite enjoys global iconic status.

VERSION - BESTLITE WALL LAMP BL6

Shade and base: Black, White or Off-White
Arm: Chrome

RAL codes are indicative.

- Fabric wire - Black:
- Black / White inside // RAL 9004 / RAL 9003 // Gloss level 20 / Gloss level 20
- Fabric wire - Off-White:
- Off-White / White inside // RAL 1015 / RAL 9003 // Gloss level 20 / Gloss level 20
- Fabric wire - White:
- White / White inside // RAL 9003 / RAL 9003 // Gloss level 20 / Gloss level 20

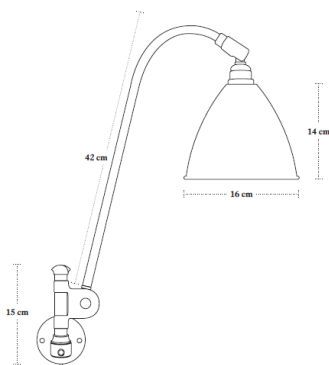
Please contact us for other colours or finishes.

VERSION

Order item - look for part number in the pricelist.

Series contains the following:

BL5, BL6, BL7, BL10



FACTS

MEASUREMENT - L X W X H MM

Lamp height: 150+420 mm
Tube length: 150 mm
Shade height: 140 mm
Shade diameter: Ø160 mm
Cord - total length w/sw: App. 2400 mm
Cord - exposed out of lamp: App. 2000 mm

WEIGHT ITEM - LAMP INCL. WIRE

1024 g

PACKAGING TYPE

White cardboard box w/ 5ply corrugated

PACKAGING MEASUREMENT - L X W X H CM

L:22 x W:61 x H:26 cm

WEIGHT PACKAGING - MATERIAL TYPE

- Paper Egg crate: 834,5 g
- PE polybag: 60 g
- Bestlite key: 18 g
- PE polybag: 1 g
- Cardboard inside: 98,5 g
- Cardboard outside: 768 g

WEIGHT PACKAGING - TOTAL

2802 g

NUMBER OF PARCELS

1 pcs.

LIGHT SOURCE

- Socket: E14 base
- Recommended light source: *All fluorescens light bulbs*
- Recommended wattage: 9 W = (40 WATT incandescent bulbs)
- Max wattage: 13 W
- Recommended light source: *Halogen light bulb*
- Recommended wattage: 28 W = (40 WATT incandescent bulbs)
- Max wattage: 28 W

- All lamps can be fitted with a dimmer.
Please contact your local electrician.

- Lightbulb not included

BESTLITE BL6 // WALL LAMP, HARD WIRED (UNSWITCHED), EU MODEL

Designed by Robert Dudley Best

BESTLITE COLLECTION

CLEANING AND MAINTENANCE

Use a soft damp cloth when cleaning your Bestlite lamp. Do not use household cleaners.

ACCESSORIES

-

ENVIRONMENT

-

TESTS

-

CERTIFICATION AND LABELS

CE-CERTIFIED

STOCK - BL6 Hard-wired (unswitched):
No cord, no switch
(to be mounted directly on electrical outlet)

- Euro voltage: 230 V
- Frequency: 50 Hz
- Supply voltage: AC power ~
- Normally Closed IP20



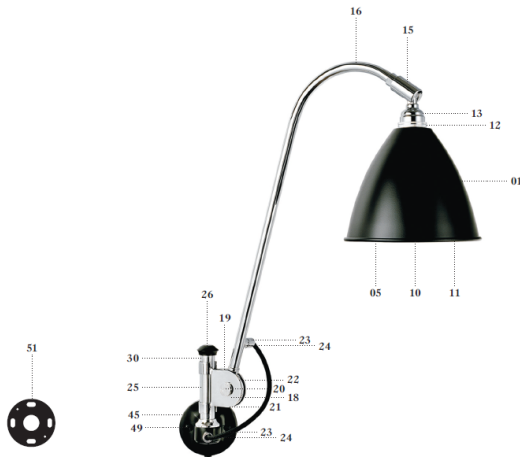
Class II / Double insulated



CE-Mark



Luminaires accepted for mounting on a flammable base



KOMPONENTS

- 01 // Shade Ø16 cm.
- 05 // E14 lamp holder
- 10 // Insulating ring
- 11 // Internal shade ring
- 12 // External shade ring
- 13 // Lamper holder cover
- 15 // Universal joint
- 16 // Bestlite arm
- 18 // Bestlite clip
- 19 // Bestlite nut
- 20 // Bestlite bolt
- 21 // Tension spring
- 22 // Fibre washer
- 23 // Cord grip
- 24 // Cord grip cover
- 25 // Acetate
- 26 // Top knob
- 30 // Tube
- 45 // Wall bracket
- 49 // Screw 9x19 mm
- 51 // Mounting plate Ø7 cm

Item no.: 001-0616X

MATERIAL

Shade and base: Powder coated aluminium
Tube and arm: Chromed steel

INSTALLATION INSTRUCTIONS

The Bestlite key:

It's a practical tool that enables you to fasten the lamp arm. Simply use it like a screwdriver in the slot in the Bestlite nut.

It is important to read this:
Cut out or make a hole in the wall, and use directly on your wall for accurate placing of the tube.
When use the instruction to install.



Technical information

Light source: E14 or E27 incandescent or LED halogen bulb.
Not permit of when changing light bulb.
The lamp is not approved for outdoor use or use in damp/wet areas.

Some advice on cleaning your Bestlite:

Powder coated parts - Base, Bracket and shade:
Wipe the parts with a damp cloth soaked in warm water and a bit of mild detergent.

Chrome plated parts:

Wipe the parts with a damp cloth and wipe dry by being up tube.
If the surface is sticky use a mild polish made especially for chromium or other soft metals.

Use only soft cloth for wiping and polishing, never sponges or steel wool.
Do not use abrasive household cleaners.
Do not use acidic or alkaline cleaning materials, glass cleaners or household products.

BESTLITE - GUBI, Skovbovej 7-8, DK-2150, Copenhagen, Denmark - www.bestlite.com



Use Bestlite customer

Compliments to your Bestlite:
The lamp is made of high quality materials, which has been designed to last for many years.
If you have any questions or need more information, please contact your local distributor for the use of your Bestlite.
Email: gubi@gubi.com or www.gubi.com
Phone: +45 44 44 44 44 or +45 44 44 44 44

Best regards,
Gubi

BESTLITE
GUBI

